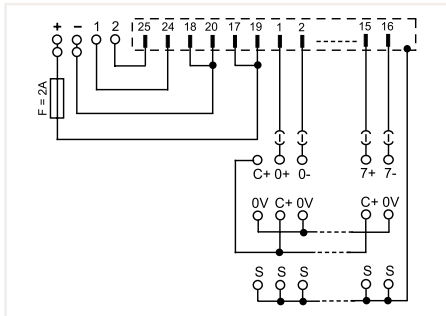
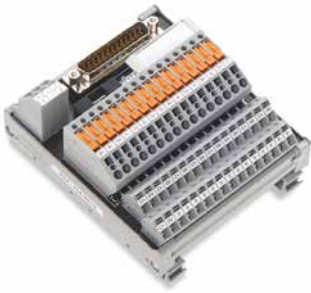
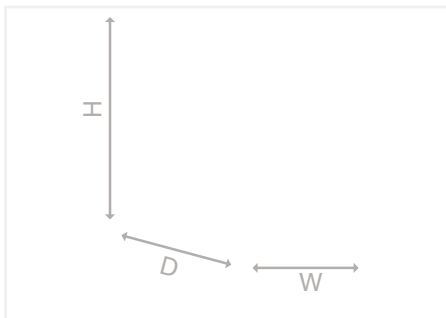


Interface Module for System Wiring 704 Series



Interface Module for System Wiring; D-sub; Male connector; 25-pole; 8-channel analog input or output; 4 conductors; Disconnect/test terminal blocks for PCBs; with mounting carrier

	Item No.	Pack. Unit
	704-8013	1



Electrical Data	
Inputs/Outputs	8-channel analog input or output
Circuit type	4-wire connection
Operating voltage	≤ 48 VDC
Limiting continuous current	1 A
Internal fuse	Supply: 2 A
Specialty functions	Disconnect and test terminal blocks

Safety and Protection	
Rated voltage	50 V
Rated surge voltage	0.8 kV
Pollution degree	2

Connection Data	
Connection type 1	System
Pole number 1	25
Connector 1	D-sub male connector
Mating direction 1	Vertical
Connection type 2	Field
Pole number 2	16
Design 2	PCB terminal blocks
Connection technology 2	CAGE CLAMP®
Solid conductor 2	0.08 ... 2.5 mm ² / 28 ... 12 AWG
Fine-stranded conductor 2	0.08 ... 2.5 mm ² / 28 ... 12 AWG
Strip length 2	8 ... 9 mm / 0.31 ... 0.35 inch
Connection type 3	Field
Pole number 3	32
Design 3	PCB terminal blocks; double-row
Connection technology 3	CAGE CLAMP®
Solid conductor 3	0.08 ... 2.5 mm ² / 28 ... 12 AWG
Fine-stranded conductor 3	0.08 ... 2.5 mm ² / 28 ... 12 AWG
Strip length 3	5 ... 6 mm / 0.2 ... 0.24 inch
Connection type 4	Power supply
Connection technology 4	CAGE CLAMP®
Solid conductor 4	0.08 ... 2.5 mm ² / 28 ... 12 AWG
Strip length 4	5 ... 6 mm / 0.2 ... 0.24 inch

Physical Data	
Width	92 mm / 3.62 inch
Height from upper-edge of DIN-rail	50 mm / 1.969 inch
Depth	105 mm / 4.134 inch

Mechanical Data	
Mounting type	DIN-35 rail
Housing design	Mounting carrier

Material Data	
Weight	190 g

Environmental Requirements	
Surrounding air temperature (operation)	-20 ... +50 °C
Surrounding air temperature (storage)	-40 ... +70 °C
Relative humidity	≤ 85 % (non-condensing)